

15 Inductive Conductivity sensor

- Corrosion resistant
- Dirt resistant
- Small robust construction

Applications



Process Water



Cooling And Boiler Feed Water



Waste Water Treatment

Description

Conductivity sensor for the inductive conductivity measurement in Polypropylene (PP) with two internal, circular measuring coils. The sensor is delivered with 6 m cable and internal temperature sensor.



15 Inductive Conductivity sensor

Technical data

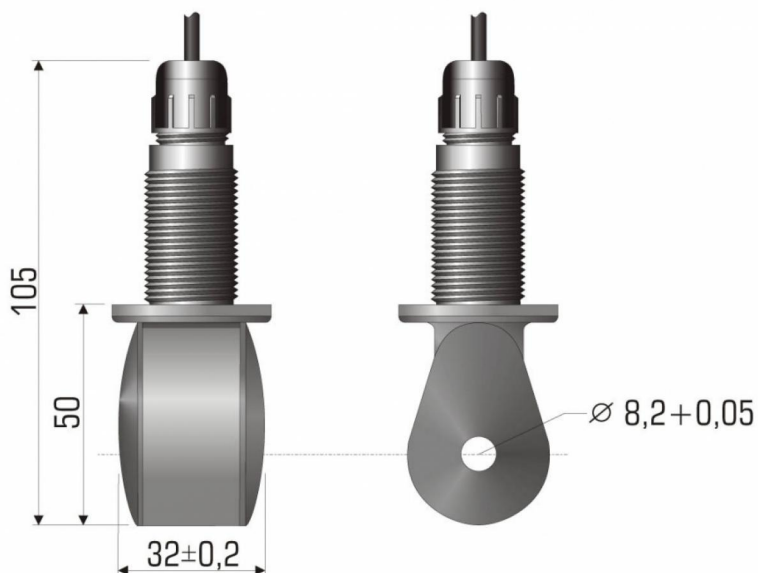
Measuring parameter

Conductivity (inductive)	0.000.. 2.000 mS/cm
	0.00.. 20.00 mS/cm
	0.0.. 200.0 mS/cm
	0.. 2000 mS/cm

Mechanical construction

Shaft material	PP
Mechanical connection	1/2 male thread
Temperature sensor	NTC

Mechanical drawing



IL 15 Inductive Conductivity sensor

Storage version

Article number	Name	Description
26164025K	IL 15	Inductive conductivity sensor, incl. 6 m cabel

